

CONSEW[®]
CONSOLIDATED SEWING MACHINE CORP.

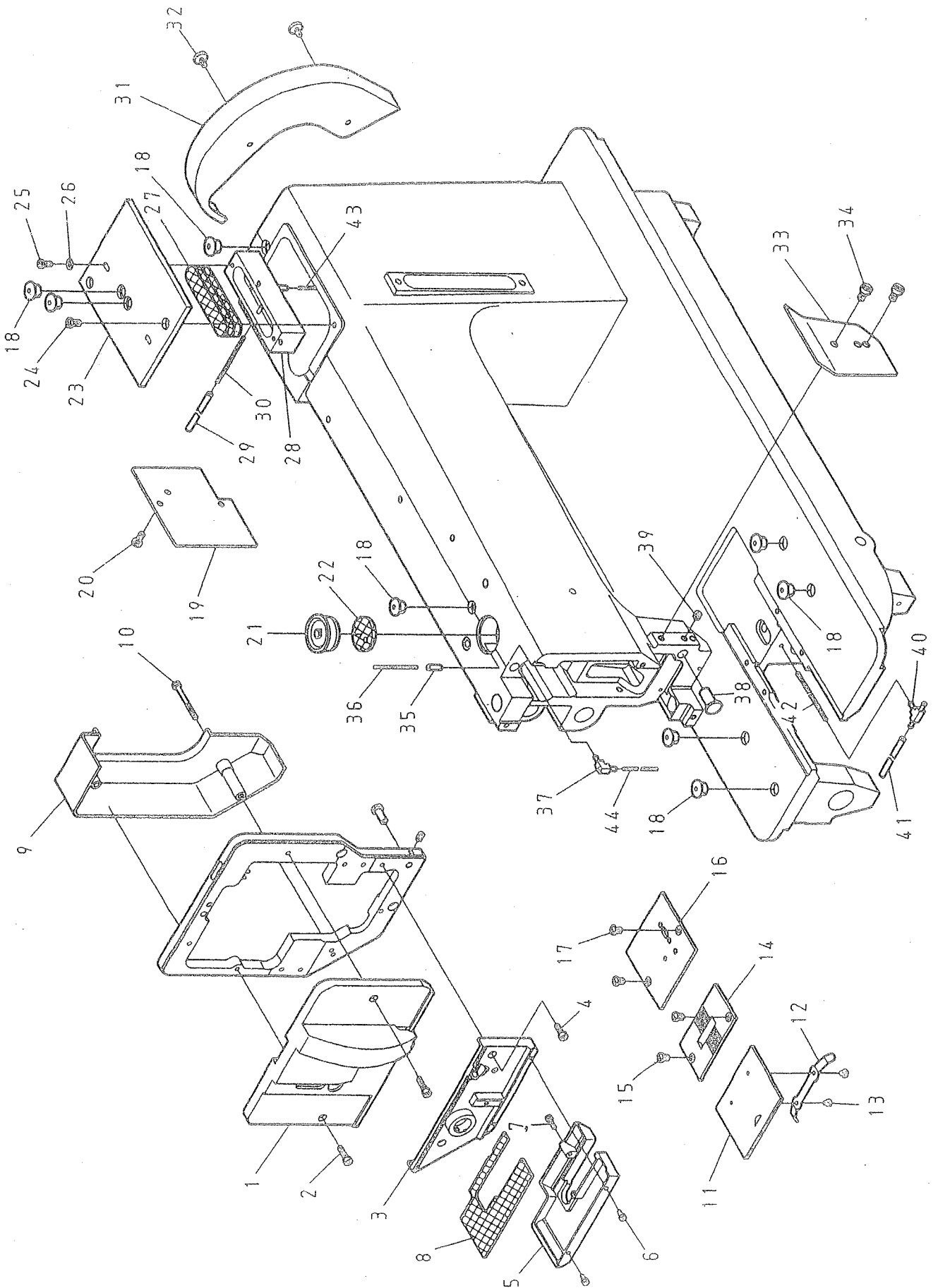
**MODEL
2040**

PARTS BOOK

MODEL : 2040

目次	CONTENT	PAGE
A.	本體關係 --- FRAME & MISCELLANEOUS COVER COMPONENTS ---	2-3
B.	上軸關係 --- MAIN SHAFT COMPONENTS ---	4-5
C.	針棒・天秤關係 --- NEEDLE BAR & THREAD TAKE-UP LEVER COMPONENTS ---	6-7
D.	針棒搖擺關係 --- NEEDLE BAR ROCKING MOTION MECHANISM COMPONENTS ---	8-9
E.	上部送料關係 --- UPPER FEED MECHANISM COMPONENTS ---	10-11
F.	押脚・脚弓關係 --- PRESSURE BAR & KNEE LIFTER COMPONENTS ---	12-13
G.	下部送料關係 --- LOWER FEED MECHANISM COMPONENTS ---	14-15
H.	縫目調整關係 --- FEED ADJUSTMENT MECHANISM COMPONENTS ---	16-17
I.	下軸關係 --- HOOK DRIVE SHAFT COMPONENTS ---	18-21
J.	縫線壓力調節關係 --- UPPER THREAD TENSION REGULATOR MECHANISM COMPONENTS ---	22-23
K.	附件 --- ACCESSORIES ---	24-25
L.	皮帶蓋關係 --- BELT COVER COMPONENTS ---	26-27
M.	零件號碼與頁數對照表 --- NUMERICAL PARTS—LIST ---	28-30

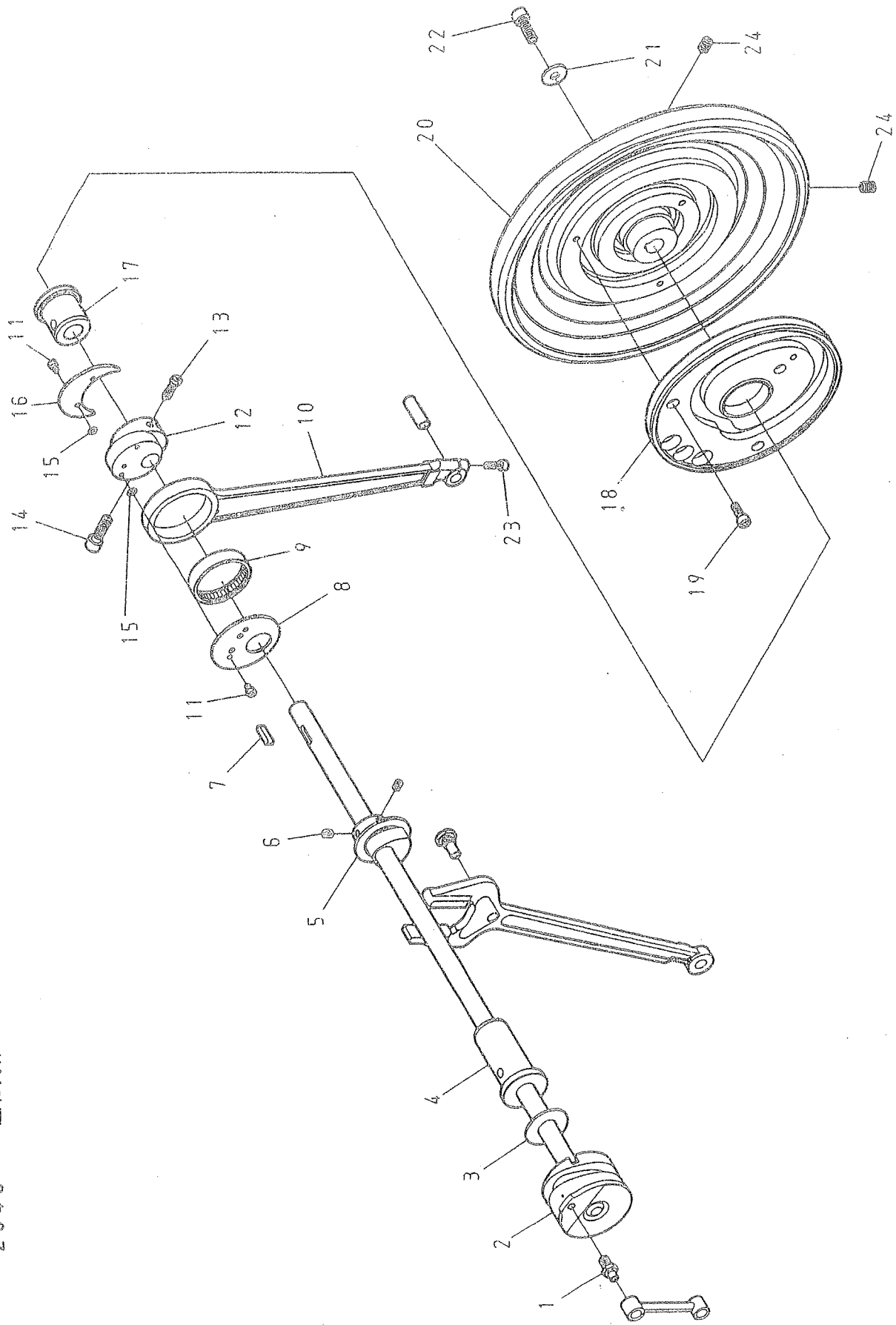
A. 2040 本體圖樣 FRAME & MISCELLANEOUS COVER COMPONENTS



A. 2040 本體關係 FRAME & MISCELLANEOUS COVER COMPONENTS
 REF.No NOTE 零件號碼 零件名稱

Part No.	Name of Part	QTY	備註
1	2040111000 面板	1	
2	ZMJ04003 螺絲	2	
3	2040110900 面板(下)	1	
4	ZMJ04005 螺絲	2	
5	2040351900 保護塵蓋	1	
6	ZMJ03010 螺絲	2	
7	ZMJ03001 螺絲	1	
8	XB400063 油綿	1	
9	204011100C 保護蓋	1	
10	ZMJ04020 螺絲	1	
11	2040111800 角板	2	
12	2040111700 簧片	1	
13	ZMB03001 螺絲	1	
14	2040111300 針板	2	
15	ZMB05003 螺絲	1	
16	2040111600 角板(右)	2	
17	ZMB05003 螺絲	1	
18	A1077-0A 橡膠塞	8	
19	2040111200 橫蓋	1	
20	ZMB05004 螺絲	2	
21	2040350200 橡膠塞	1	
22	XB130001 油綿	1	
23	2040111100 上蓋	1	
24	ZMB05004 螺絲	1	
25	ZMB04016 螺絲	2	
26	WA049003 平墊圈	2	
27	XB215001 油綿	2	
28	2040351504 油槽	3	
29	XP300200 油管線	1	
30	XA200400 油線	1	
31	2040335800 皮帶蓋	1	
32	ZMB04013 螺絲	1	
33	2040113100 橫蓋	2	
34	ZMJ06001 螺絲	1	
35	YD040014A 銷	2	
36	XA200280 油線	1	
37	2040353604 油管接頭	1	
38	2040270400 銷	1	
39	ZMH06008 螺絲	1	
40	2040353804 油管接頭	1	
41	XP300150 油管線	1	
42	XA200800 油線	1	
43	XA200180 油線	1	
44	XA200150 油線	1	

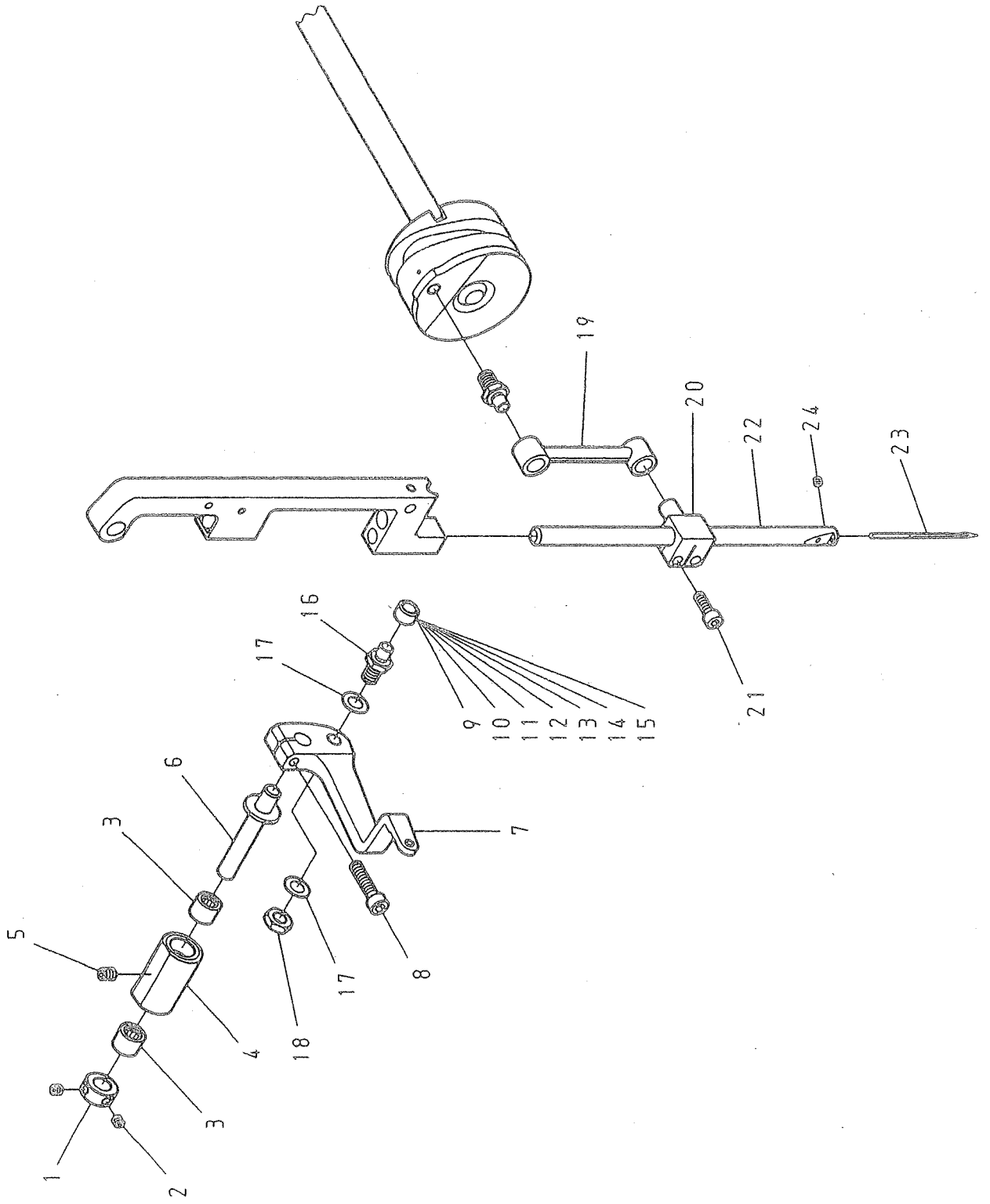
B. 2040 上軸圖樣 MAIN SHAFT COMPONENTS



B. 2040 上軸關係 MAIN SHAFT COMPONENTS

REF.No	NOTE	零件號碼	零件名稱	Name of Part	件數	備註
		Part No.			QTY	Remarks
1		2040121300	針線連接軸	Needle Bar Crank Shaft	1	
2		2040120104	上軸(組)	Main Shaft Asm.	1	
3		WH216002	平墊圈	Washer	1	
4		2040120200	上軸套管(左)	Main Shaft Bushing,Front	1	
5		2040122000	偏心輪	Feed Cam	1	
6		ZMH06003	螺絲	Screw M6X1.0*8	2	
7		KC0305520	鍵	Key	1	
8		204018200A	側板	Side Plate	1	
9		BNHK4512	軸承	Needle Bearing	1	
10		2040181800	動桿	Connecting Rod	1	
11		ZMJ04008	螺絲	Screw M4X0.7*6	4	
12		2040181900	偏心輪	Con-Rod Eccentric Cam	1	
13		ZMB06020	螺絲	Screw M6X1.0*22	1	
14		ZMJ08011	螺絲	Screw M8X0.75*25	1	
15		WA040026	平墊圈	Washer	4	
16		204018200B	側板	Side Plate	1	
17		2040120400	上軸套管(右)	Main Shaft Bushing,Rear	1	
18		2040144400	偏心輪	Driving Cam	1	
19		ZMJ06009	螺絲	Screw M6X1.0*18	3	
20		2040122300	皮帶輪	Hand Wheel	1	
21		WA089004	平墊圈	Washer	1	
22		ZMJ08003	螺絲	Screw M8X1.25*22	1	
23		ZMJ05003	螺絲	Screw M5X0.8*15	1	
24		ZMH08002	螺絲	Screw M8X1.25*12	2	

C. 2040 針棒·天秤圖係 NEEDLE BAR & THREAD TAKE-UP LEVER COMPONENTS

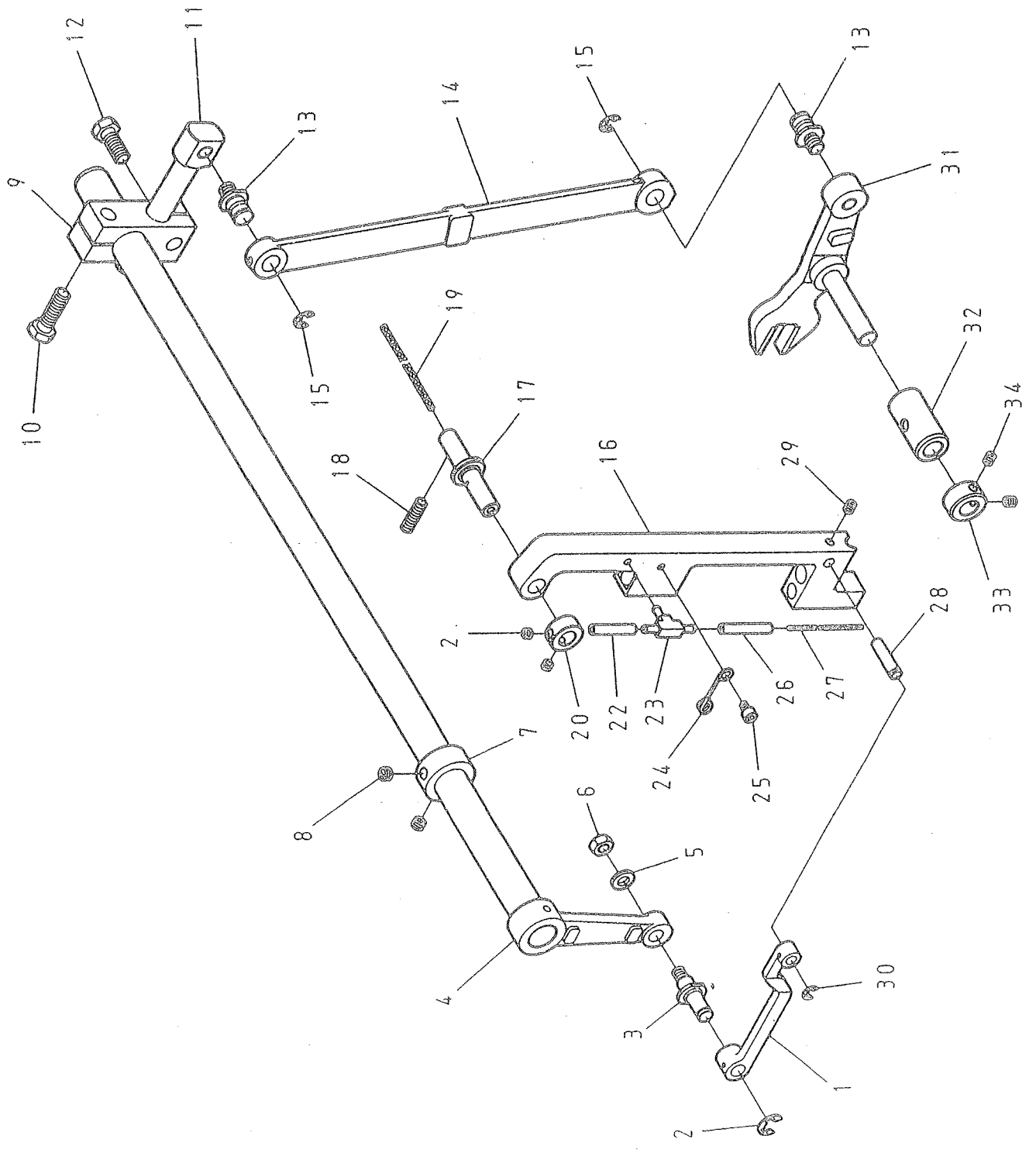


C. 2040 針棒·天秤閘係 NEEDLE BAR & THREAD TAKE-UP LEVER COMPONENTS

REF.No	NOTE	零件號碼 Part No.	零件名稱 Name of Part	件數 QTY	備註 Remarks
1		TC09008200	定環	1	
2		ZMH05001	螺絲	2	
3		BNHK0910B	軸承	2	
4		2040192300	套管	1	
5		ZMH06003	螺絲	1	
6		2040192100	軸	1	
7		2040190104	天秤(結合)	1	
8		ZMJ05017	螺絲	1	
9	#01	2040190210	滾仔	(1)	
10	#01	2040190220	滾仔	(1)	
11		2040190230	滾仔	1	
12	#01	2040190240	滾仔	(1)	
13	#01	2040190250	滾仔	(1)	
14	#01	2040190260	滾仔	(1)	
15	#01	2040190270	滾仔	(1)	
16		2040190300	滾仔固定軸	1	
17		WA080022	平墊圈	2	
18		ZML08004	螺帽	1	
19		2040121000	針棒連接器	1	
20		2040140900	針棒鉗	1	
21		ZMJ05003	螺絲	2	
22		2040140100	針棒	1	
23		IN794#200	針	1	
24		ZMH04017	螺絲	1	

Note (注記) #01 ----- Selective parts 選擇部品

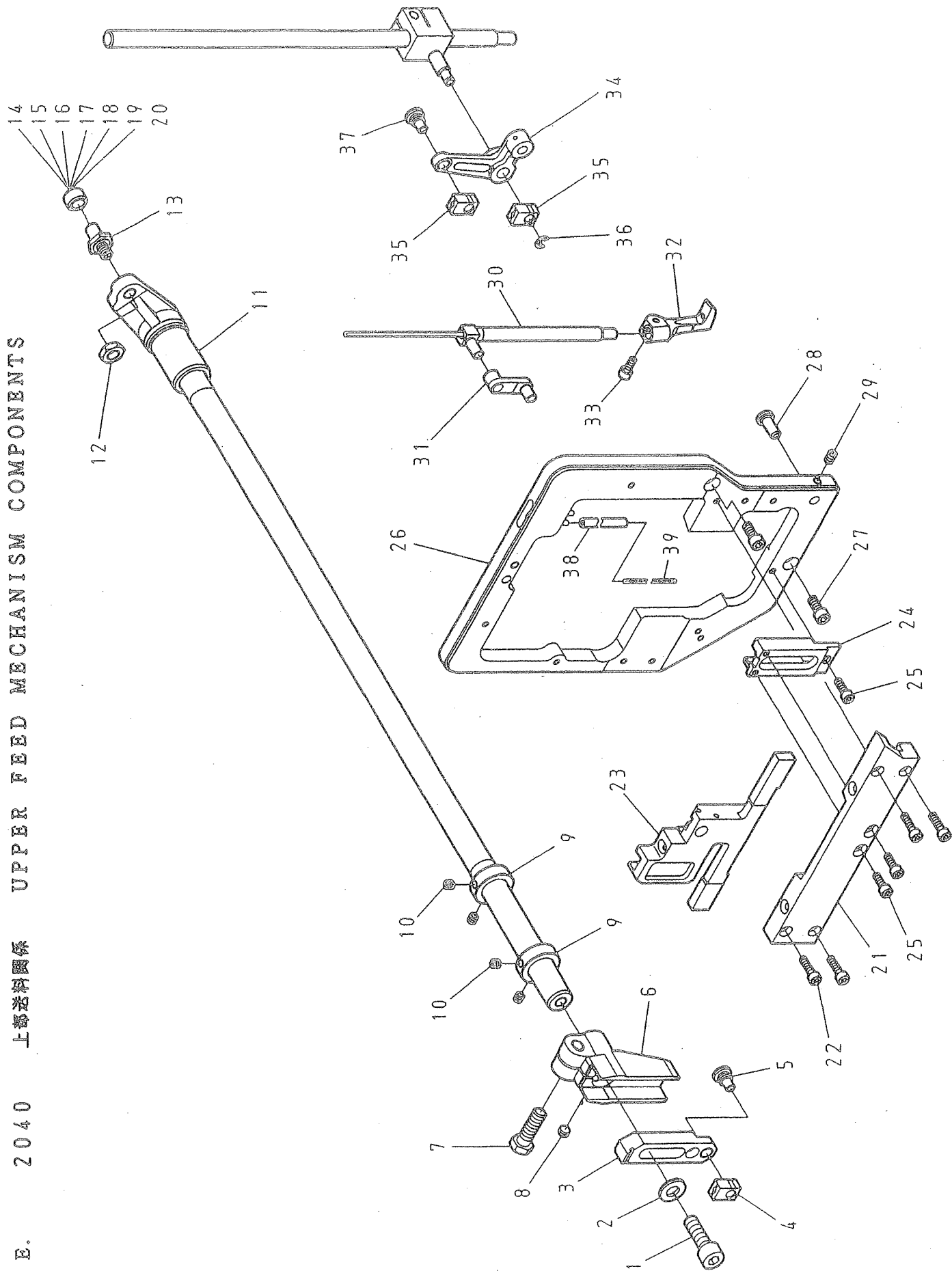
D. 2040 針桿搖擺關係 NEEDLE BAR ROCKING MOTION MECHANISM COMPONENTS



D. 2040 針棒搖擺關係 NEEDLE BAR ROCKING MOTION MECHANISM COMPONENTS

REF.No	NOTE	零件號碼	零件名稱	Name of Part	件數	備註
1		Part No.			QTY	Remarks
1		2040143100	搖軸連桿	Rod	1	
2		RE000070	E扣環 7	Retaining Rings- E Type 7	1	
3		ZMK06025	螺絲	Hinge Screw	1	
4		2040142304	中軸連桿(前)(結合)	Driving Shaft Rod, Rear Com.	1	
5		WA06008	平墊圈	Washer	1	
6		ZML06001	螺帽	Nut M6X1.0	1	
7		LG4043-0A	定環	Thrust Collar	1	
8		ZSA16010	螺絲	Screw 1/4-40*4.5	2	
9		4410142400	中軸連桿(後)	Driving Shaft Rod, Rear	1	
10		ZSD20009	螺絲	Screw 5/16-18*25	1	
11		2040141900	中軸連桿銷(後)	Driving Shaft Rear Arm Pin	1	
12		ZSD20011	螺絲	Screw 5/16-18*19	1	
13		ZMK08016	螺絲	Hinge Screw	2	
14		2040271100	連桿	Lenghtwise Feed Rod	1	
15		RE000080	E扣環 8	Retaining Rings- E Type 8	2	
16		2040270100	針棒座	Frame Driving Base	1	
17		2040270200	針棒座軸	Frame Driving Base Shaft	1	
18		ZMH06016	螺絲	Screw M6X1.0*20	1	
19		XA200300	油線	Oil Wick	1	
20		TC09508200	定環	Thrust Collar	1	
21		ZMH05006	螺絲	Screw M5X0.8*4	2	
22		XP300045	油管線	Oil Tube	1	
23		2040353804	油管接頭	Oil Pipe Joint	1	
24		2040352900	油管支持片	Pipe Holder	1	
25		ZMJ04008	螺絲	Screw M4X0.7*6	1	
26		XP300055	油管線	Oil Tube	1	
27		XA300460	油線	Oil Wick	1	
28		2040271300	銷	Pin	1	
29		ZMH05002	螺絲	Screw M5X0.8*6	1	
30		RE000040	E扣環 4	Retaining Rings- E Type 4	1	
31		2040169204	送料台柄	Feed Connection Crank	1	
32		2040273000	套管	Bushing	1	
33		TC10010200	定環	Thrust Collar	1	
34		ZMH05002	螺絲	Screw M5X0.8*6	2	

E. 2040 上部送料關係 UPPER FEED MECHANISM COMPONENTS

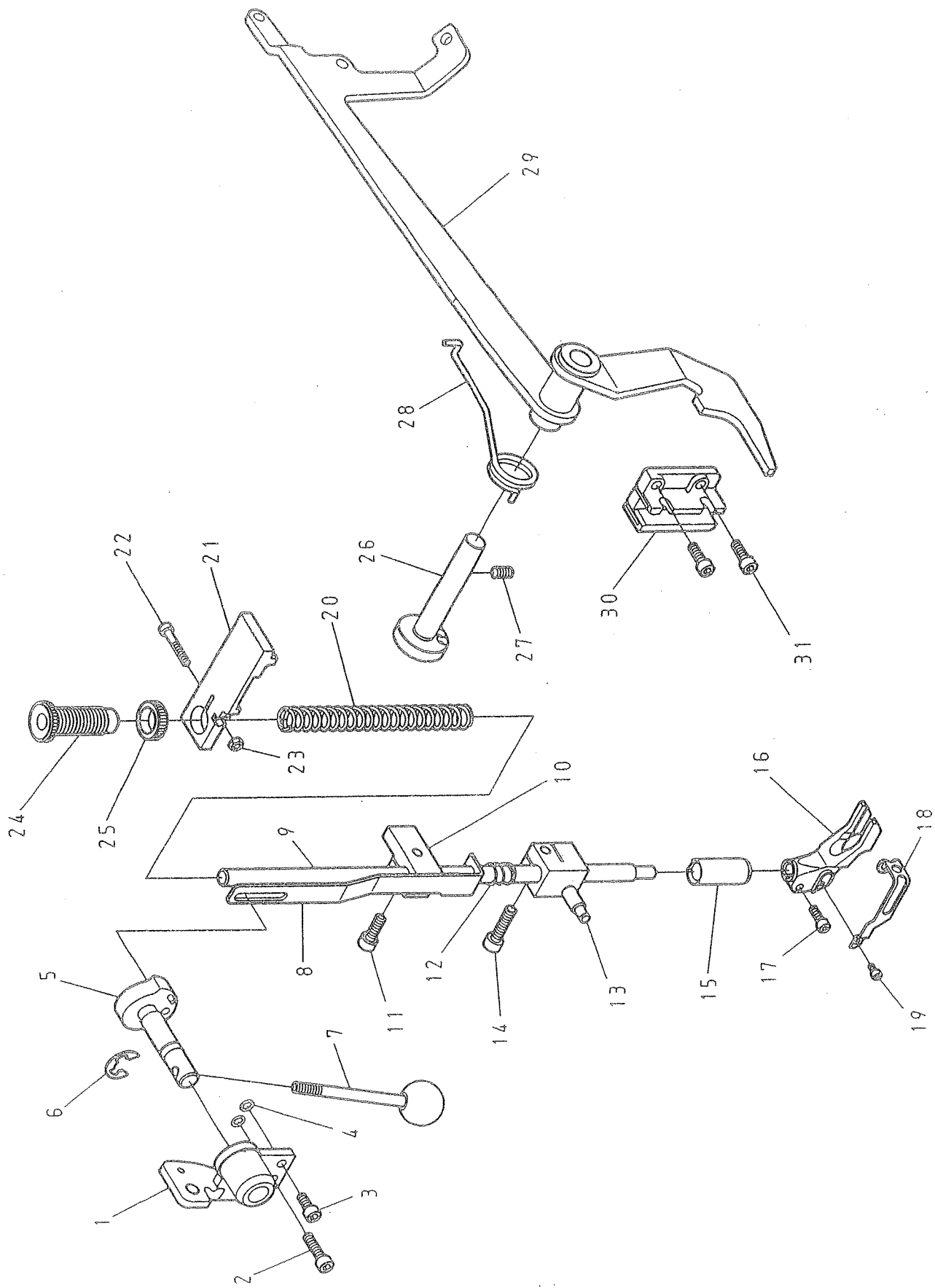


E. 2040 上部送料關係 UPPER FEED MECHANISM COMPONENTS

REF.No	NOTE	零件號碼	零件名稱	Name of Part	件數	備註
1		Part No.			Q.TY	Remarks
1		ZMJ08006	螺絲	Screw M8X1.25*25	1	
2		WA080007	平墊圈	Washer	1	
3		2040142700	滑塊	Slide Block	1	
4		2040148000	滑塊	Slide Block	1	
5		ZMB08005	螺絲	Hinge Screw	1	
6		2040144600	上送軸柄	Driving Shaft Arm,Front	1	
7		ZSD20009	螺絲	Screw 5/16-18*25	1	
8		ZSA16020	螺絲	Screw 1/4-40*5.5	1	
9		TC16008200	定環	Thrust Collar	1	
10		ZMH05001	螺絲	Screw M5X0.8*5	2	
11		2040144704	上送軸曲柄(結合)	Driving Shaft Arm,Rear Com.	4	
12		ZML08004	螺帽	Nut M8 x 1.25	1	
13		ZMK08017	滾仔固定軸	Roller Stud	1	
14	#01	2040145410	滾仔	Roller	1	
15	#01	2040145420	滾仔	Roller	(1)	
16		2040145430	滾仔	Roller	(1)	
17	#01	2040145440	滾仔	Roller	1	
18	#01	2040145450	滾仔	Roller	(1)	
19	#01	2040145460	滾仔	Roller	(1)	
20	#01	2040145470	滾仔	Roller	(1)	
21		2040142500	導板	Guide Plate	(1)	
22		ZMJ04003	螺絲	Screw M4X0.7*15	1	
23		2040142900	滑塊	Slide Block	4	
24		2040151100	導板	Guide Plate	1	
25		ZMJ04005	螺絲	Screw M4X0.7*12	1	
26		2040110604	面板土台(結合)	Face Plate Base Com.	3	
27		ZMJ05002	螺絲	Screw M5X0.8*12	1	
28		2040143700	銷	Pin	2	
29		ZMH05003	螺絲	Screw M5X0.8*8	1	
30		2040141704	中腳桿(結合)	Vibrating Presser Bar Com.	1	
31		2040143300	押腳舉升連桿	Vibrating Presser Bar Link	1	
32		2040151000	內壓脚	Walking Foot	1	
33		ZMJ04002	螺絲	Screw M4X0.7*10	1	
34		2040143600	舉升曲臂連桿	Lifting Bell Crank	1	
35		2040148000	滑塊	Slide Block	1	
36		RE000040	E扣環 4	Retaining Rings- E Type 4	2	
37		ZMB08005	螺絲	Hinge Screw	1	
38		XP300100	油管線	Oil Tube	1	
39		XA200360	油線	Oil Wick	1	

Note (注記) #01 ----- Selective parts 選擇部品

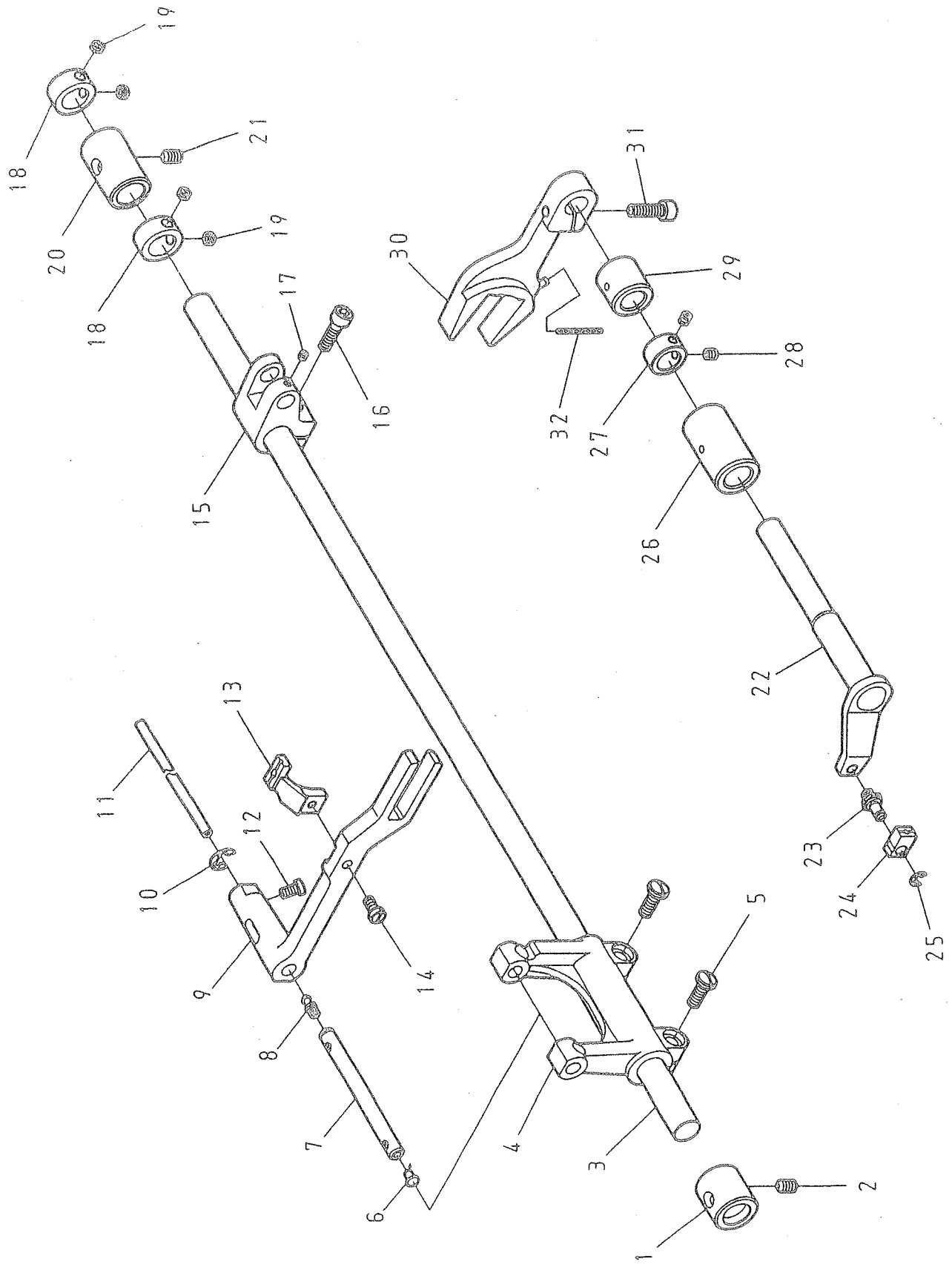
F. 2040 彈簧・脚弓關係 PRESSURE BAR & KNEE LIFTER COMPONENTS



F. 2040 押脚·脚弓關係 PRESSURE BAR & KNEE LIFTER COMPONENTS

REF.No	NOTE	零件號碼	零件名稱	Name of Part	件數	備註
1		Part No.			QTY	Remarks
1		2040157104	支持台(結合)	Bracket Com.	1	
2		ZMJ05004	螺絲	Screw M5X0.8*20	1	
3		ZMJ05002	螺絲	Screw M5X0.8*12	1	
4		WA059006	平墊圈	Washer	1	
5		2040150704	押棒偏心軸(結合)	Hand Lifter Cam Com.	2	
6		RE000100	E扣環 10	Retaining Rings- E Type 10	1	
7		2040150804	押棒提桿(結合)	Hand Lifter Lever Com.	1	
8		2040340300	壓棒固定座	Hand Lifter Link	1	
9		2040150100	押棒	Presser Bar	1	
10		2040150500	押棒提昇器	Presser Bar Lifter	1	
11		ZMJ06009	螺絲	Screw M6X1.0*18	1	
12		2040340200	壓縮彈簧	Spring	1	
13		2040143500	舉升曲臂連桿土台	Lifting Bell Crank Base	1	
14		ZMJ06006	螺絲	Screw M6X1.0*23	1	
15		2040150200	押棒套管	Bushing	1	
16		2040143800	外壓脚	Presser Foot	1	
17		ZMJ04005	螺絲	Screw M4X0.7*12	1	
18		2040152500	保護板	Guard	1	
19		ZMJ03010	螺絲	Screw M3X0.5*6	1	
20		2040150400	壓縮彈簧	Presser Spring	1	
21		2040159900	上蓋	Top Cover	1	
22		ZMJ04004	螺絲	Screw M4X0.7*25	1	
23		ZML04006	螺帽	Nut M4X0.7	1	
24		4710150300	螺絲	Screw	1	
25		4710151500	螺帽	Nut	1	
26		2040341700	軸	Shaft	1	
27		ZMH06023	螺絲	Screw M6X1.0*12	1	
28		2040342300	彈簧	Spring	1	
29		2040150604	押脚抬高桿	Foot Lifter Lifting Lever	1	
30		2040151700	導板	Guide Plate	1	
31		ZMJ05003	螺絲	Screw M5X0.8*15	2	

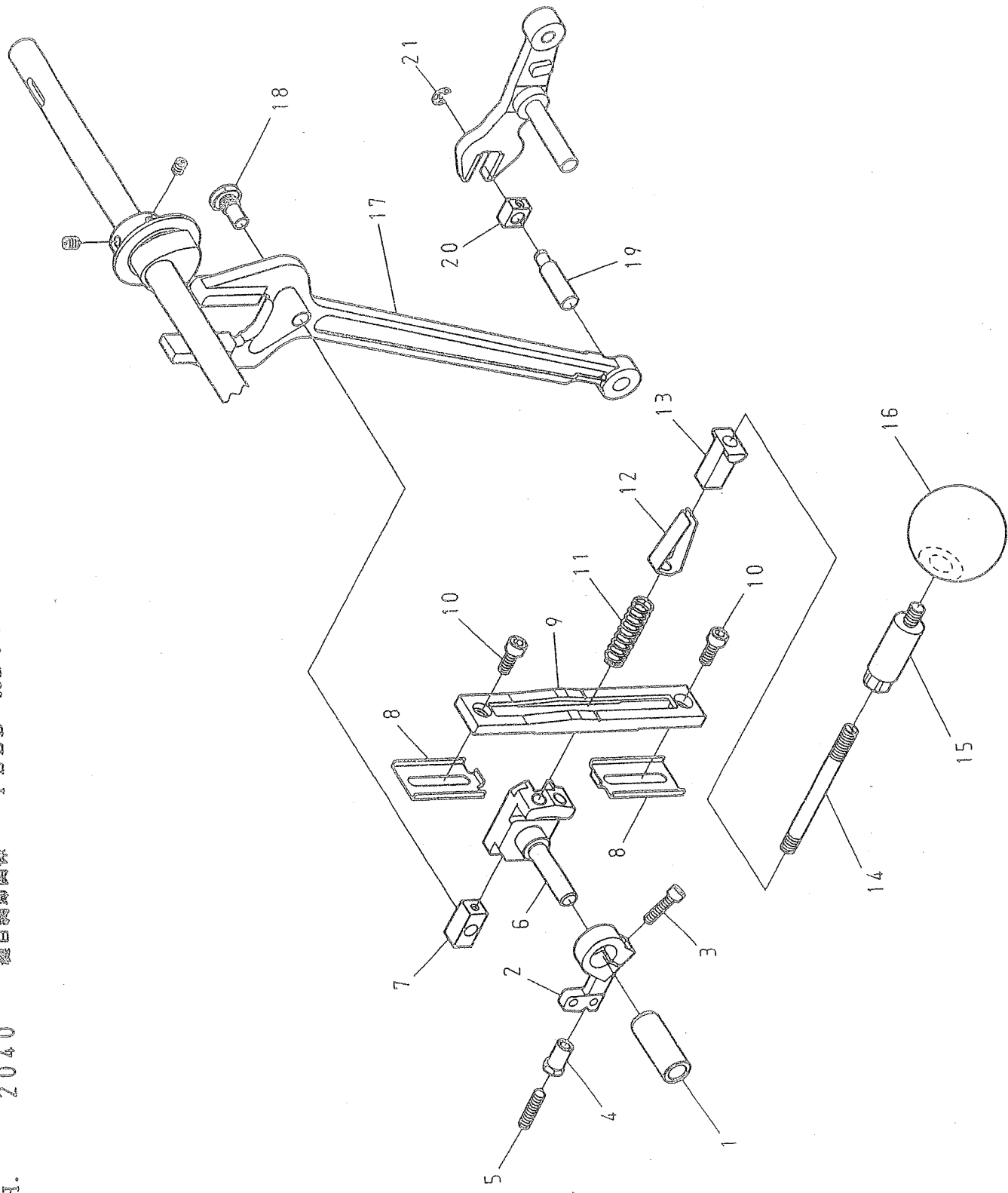
G. 2040 下部送料關係 LOWER FEED MECHANISM COMPONENTS



G. 2040 下部送料關係 LOWER FEED MECHANISM COMPONENTS

REF.No	NOTE	零件號碼	零件名稱	Name of Part	件數	備註
		Part No.			QTY	Remarks
1		2040160600	搖動軸套管(前)	Bushing, Front	1	
2		ZMH06010	螺絲	Screw M6X1.0*10	1	
3		2430160400	搖動軸	Feed Rocker Shaft	1	
4		2040160500	送料台連桿	Feed Bar Rod	1	
5		ZSB16004	螺絲	Screw 1/4-24*16	2	
6		SEN0400600	橡膠塞	Oil Cap	1	
7		2040164900	送料台軸	Feed Bar Shaft	1	
8		2040354000	油管接頭	Oil Pipe Joint	1	
9		2040160100	送料台	Feed Bar	1	
10		RE000070	E扣環 7	Retaining Rings- E Type 7	1	
11		XP300120	油管線	Oil Tube	1	
12		ZMB05012	螺絲	Screw M5X0.8*9	1	
13		2040161400	送料筒	Feed dog	1	
14		ZMB05004	螺絲	Screw M5X0.8*10	1	
15		2040160800	搖動曲軸	Feed Rocker Shaft Crank	1	
16		ZMJ06004	螺絲	Screw M6X1.0*20	1	
17		ZMA04005	螺絲	Screw M4X0.7*4	1	
18		LG4044-0A	定環	Thrust Collar	2	
19		ZSA16029	螺絲	Screw 1/4-40*3.5	4	
20		2040160700	搖動軸套管(後)	Bushing, Rear	1	
21		ZMH06010	螺絲	Screw M6X1.0*10	1	
22		2040170304	送料軸(結合)	Feed Lifting Rock Shaft Com.	1	
23		ZMK06024	螺絲	Hinge Screw	1	
24		2040148000	滑塊	Slide Block	1	
25		RE000040	E扣環 4	Retaining Rings- E Type 4	1	
26		2040171800	套管	Bushing	1	
27		TC12710200	定環	Thrust Collar	1	
28		ZMH05002	螺絲	Screw M5X0.8*6	2	
29		2040171900	套管	Bushing	1	
30		2040170104	送料台二又	Feed Bar Forked Connection	1	
31		ZMJ06004	螺絲	Screw M6X1.0*20	1	
32		XA200046	油線	Oil Wick	1	

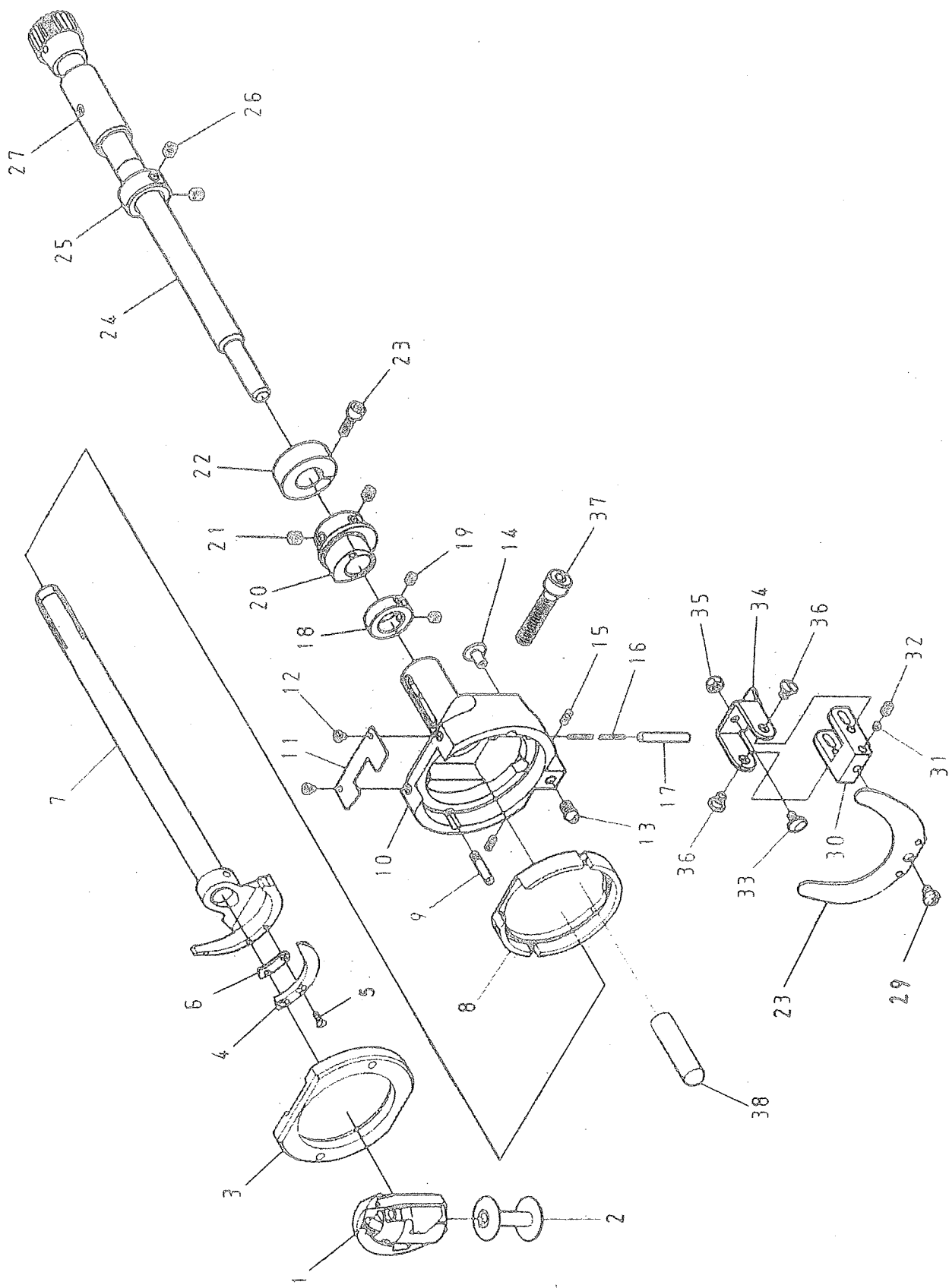
H. 2040 縫目調整機構 FEED ADJUSTMENT MECHANISM COMPONENTS



H. 2040 縫目調節關係 FEED ADJUSTMENT MECHANISM COMPONENTS

REF.No	NOTE	零件號碼	零件名稱	Name of Part	件數	備註
		Part No.			Q'TY	Remarks
1		2040167900	套管	Bushing	1	
2		2040162200	送料調節桿	Feed Regulator	1	
3		ZMJ05004	螺絲	Screw M5X0.8*20	1	
4		ZMR06005	螺帽	Nut M6X1.0	1	
5		ZMH06024	螺絲	Screw M6X1.0*25	1	
6		2040161104	送料調節桿(結合)	Feed Regulator Com.	1	
7		2040167200	滑塊	Slide Block	1	
8		2040164500	定位板	Stopper Plate	2	
9		2040161300	刻度板	Side Cover	1	
10		ZMJ06002	螺絲	Screw M6X1.0*15	2	
11		2040162000	彈簧	Spring	1	
12		2040161900	簧片	Leaf Spring	1	
13		2040162100	滑塊	Slide Block	1	
14		2040161800	縫目調整桿	Lever Shaft	1	
15		2040161200	倒針槓桿	Lever	1	
16		4710161600	調節桿握	Lever Grip	1	
17		2040160900	連接叉桿	Rod	1	
18		ZMB10002	螺絲	Hinge Screw	1	
19		2040167600	軸	Shaft	1	
20		2040169500	滑塊	Slide Block	1	
21		RE000050	E扣環 5	Retaining Rings- E Type 5	1	

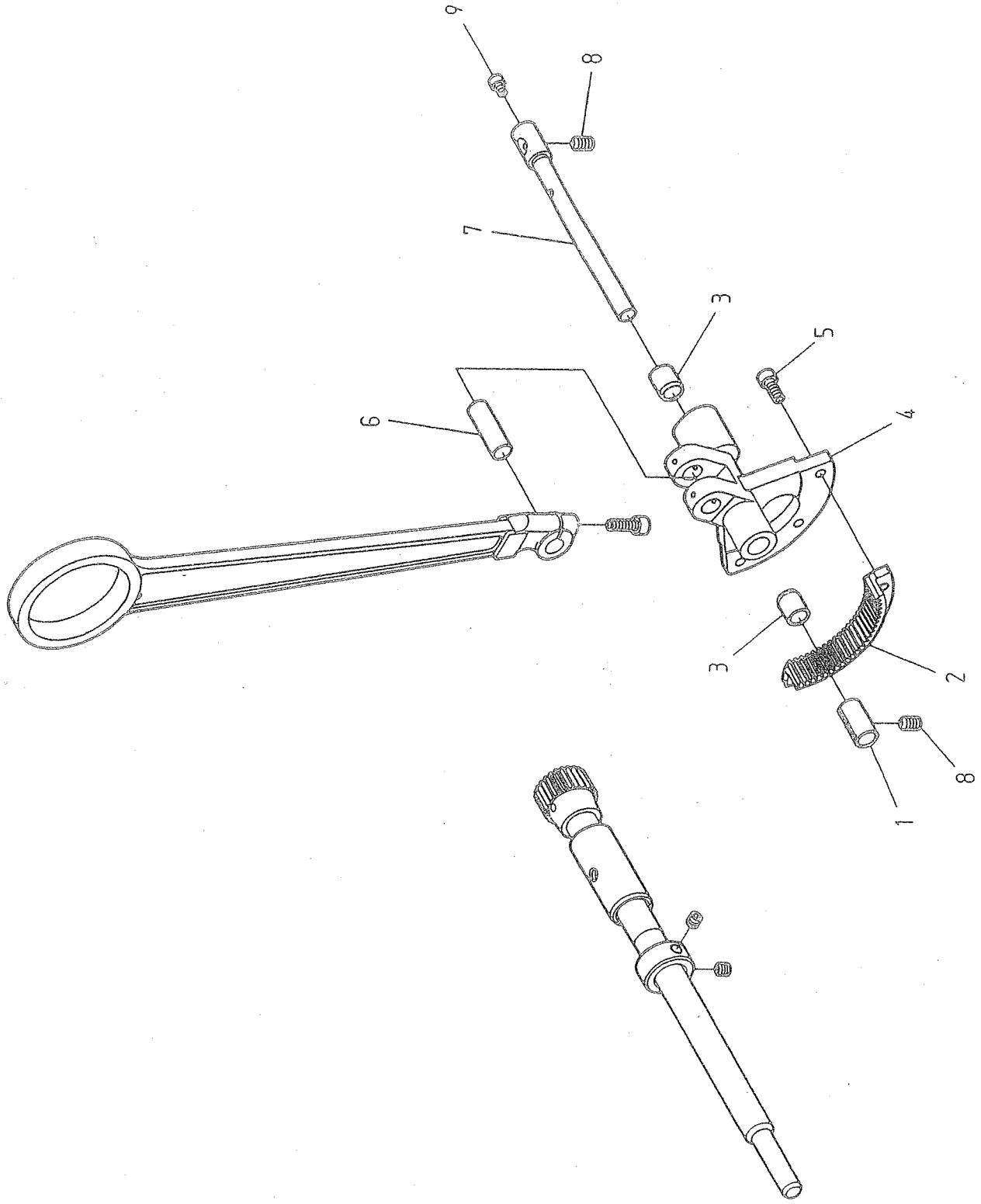
I. 2040 下機部 (1/2) HOOK DRIVE SHAFT COMPONENTS (1/2)



1. 2040 下軸關係 (1/2) HOOK DRIVE SHAFT COMPONENTS(1/2)

REF.No	NOTE	零件號碼	零件名稱	Name of Part	件數	備註
		Part No.			QTY	Remarks
1		4710181300	梭頭	Hook Asm.	1	
2		4710183200	梭仔	Bobbin	1	
3		2040181400	梭頭蓋	Hook Cover	1	
4		2040189300	針架內	Needle Guide	1	
5		ZMC03001	螺絲	Screw M3X0.5*8.5	2	
6		2040189420	定位保持板	Spacer	1	
7		2040181604	梭頭驅動柄(結合)	Shuttle Driver Com.	1	
8		2040184200	梭頭導環座	Shuttle Race Body	1	
9		ZSK11050	螺絲	Hinge Screw	2	
10		2040180300	下軸套管(左)	Bushing, Front	1	
11		2040184600	繞線片	Shuttle Race Thread Guide	1	
12		ZMB03001	螺絲	Screw M3X0.5*8.5	2	
13		ZSB15055	螺絲	Screw 15/64-28*6.4	1	
14		2040184100	銷	Pin	1	
15		ZSS09091	螺絲	Screw 9/64-40*8	2	
16		XA200100	油線	Oil Wick	1	
17		XP300060	油管線	Oil Tube	1	
18		TC14708200	定環	Thrust Coller	1	
19		ZMH05001	螺絲	Screw M5X0.8*5	2	
20		2040170900	送料觸心輪	Feed Lifting Rock Cam	1	
21		ZMH06008	螺絲	Screw M6X1.0*6	2	
22		2040186600	經手	Joint	1	
23		ZMJ05003	螺絲	Screw M5X0.8*15	1	
24		2040180704	齒輪(結合)	Lower Shaft Gear Com.	1	
25		TC14712200	定環	Thrust Collar	1	
26		ZMH06008	螺絲	Screw M6X1.0*6	2	
27		2040180500	下軸套管(右)	Bushing, Rear	1	
28		2040183800	簧片	Leaf Spring	1	
29		ZMB05027	螺絲	Screw M5X0.5*6.1	1	
30		2040184400	活動板	Hinge	1	
31		2040183500	銷	Pin	1	
32		ZMA05012	螺絲	Screw M5X0.5*6	1	
33		2040184500	銷	Pin	1	
34		2040184300	活動環板	Support	1	
35		ZSL11002	螺絲	Nut 11/64-40	1	
36		ZMG05023	螺絲	Hinge Screw	2	
37		ZMJ08010	螺絲	Screw M8X1.25*40	1	
38		YA040300	銷	Pin	1	

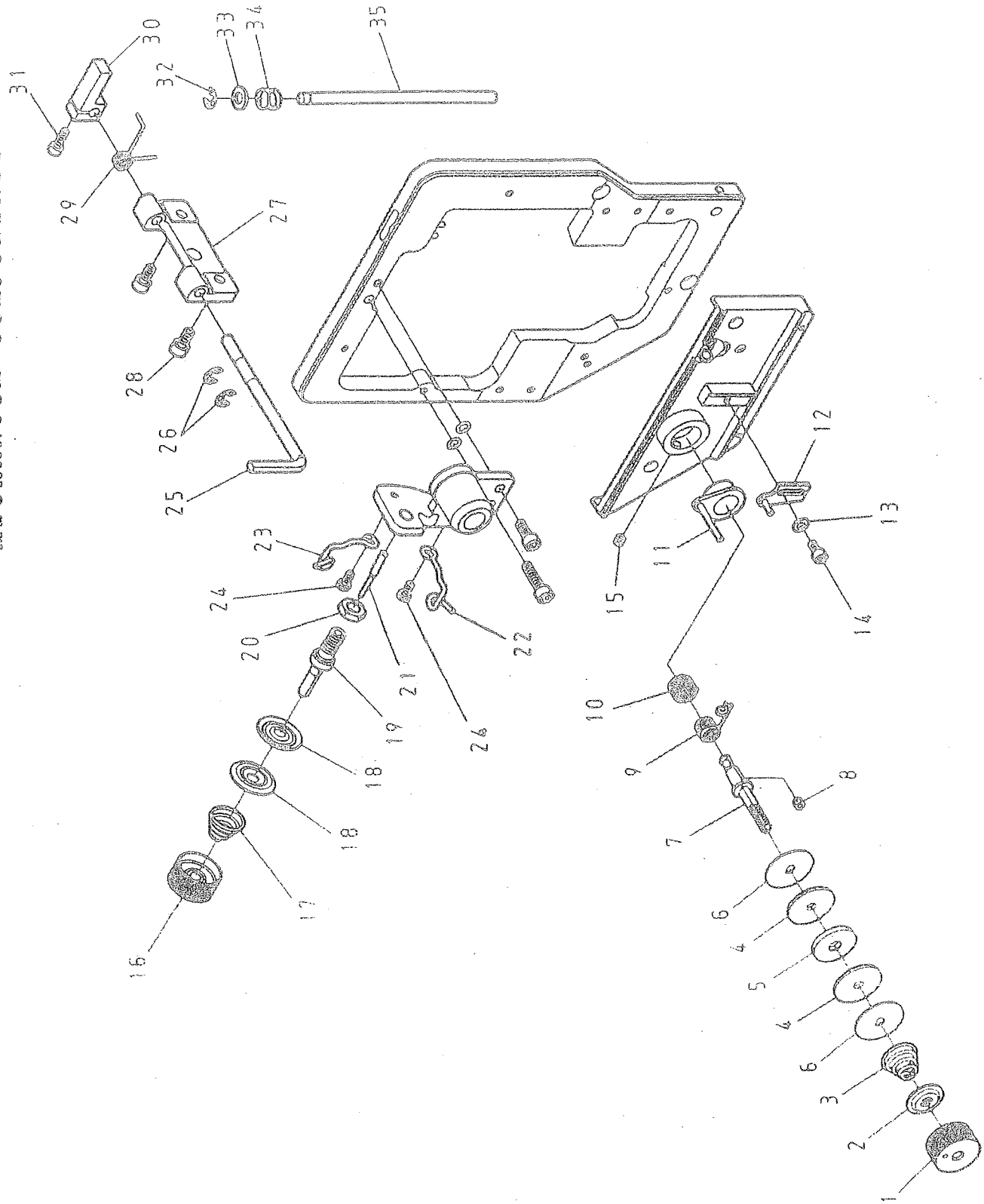
I. 2040 下輪關係 (2/2) HOOK DRIVE SHAFT COMPONENTS (2/2)



I. 2040 下軸關係 (2/2) HOOK DRIVE SHAFT COMPONENTS (2/2)

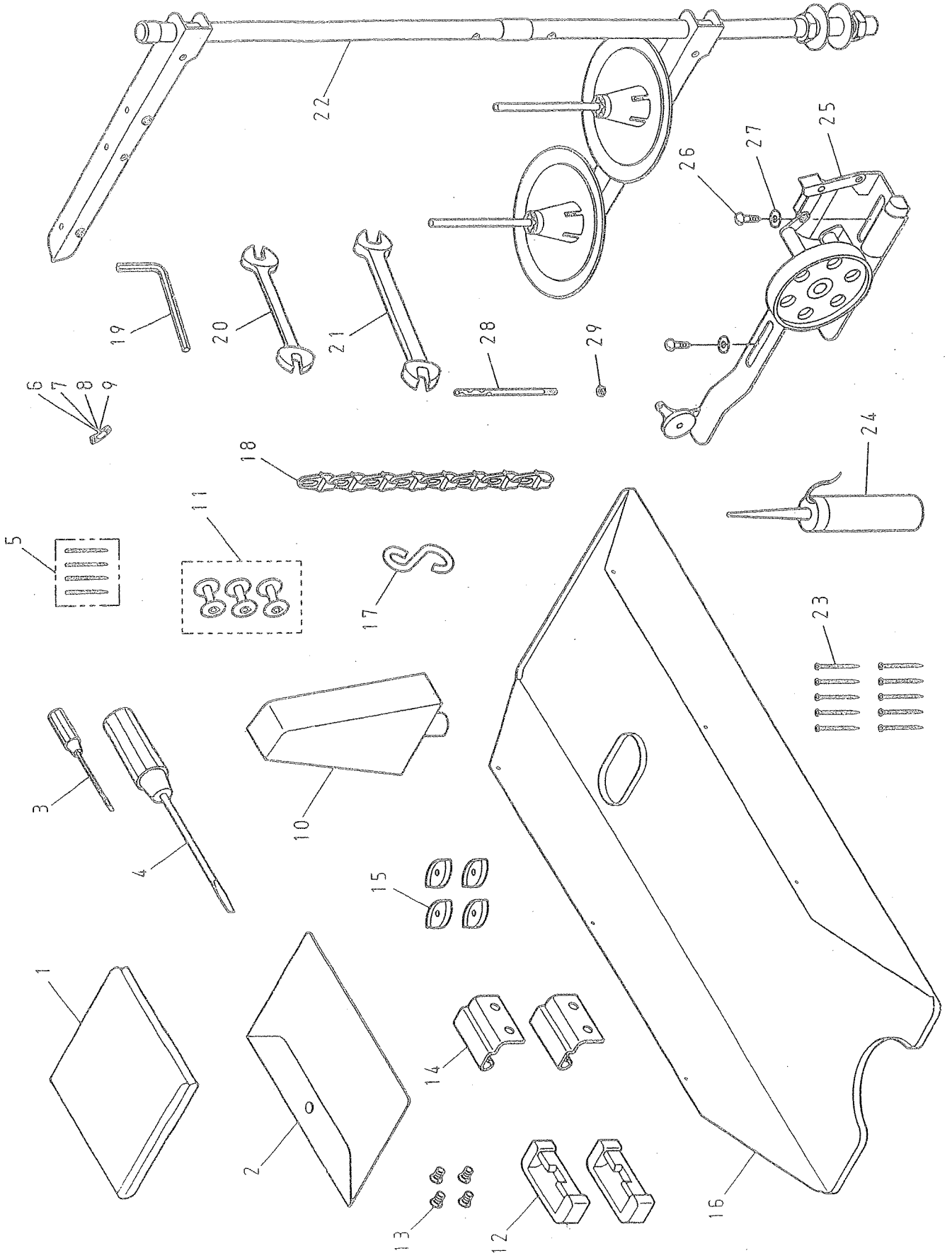
REF.No	NOTE	零件號碼	零件名稱	Name of Part	件數	備註
1		Part No.			QTY	Remarks
1		2040182400	套管	Bushing	1	
2		2040182500	齒輪	Rock Gear	1	
3		204018220A	套管	Bushing	2	
4		2040182200	擺動柄	Oscillating Rock Shaft	1	
5		ZMJ05002	螺絲	Screw M5X0.8*12	3	
6		2040183000	銷	Pin	1	
7		2040182300	軸	Shaft	1	
8		ZMH06010	螺絲	Screw M6X1.0*10	1	
9		ZMJ04008	螺絲	Screw M4X0.7*6	2	

MECHANISM COMPONENTS



J 2040 越線壓力調節關係 UPPER THREAD TENSION REGULATOR MECHANISM COMPONENTS

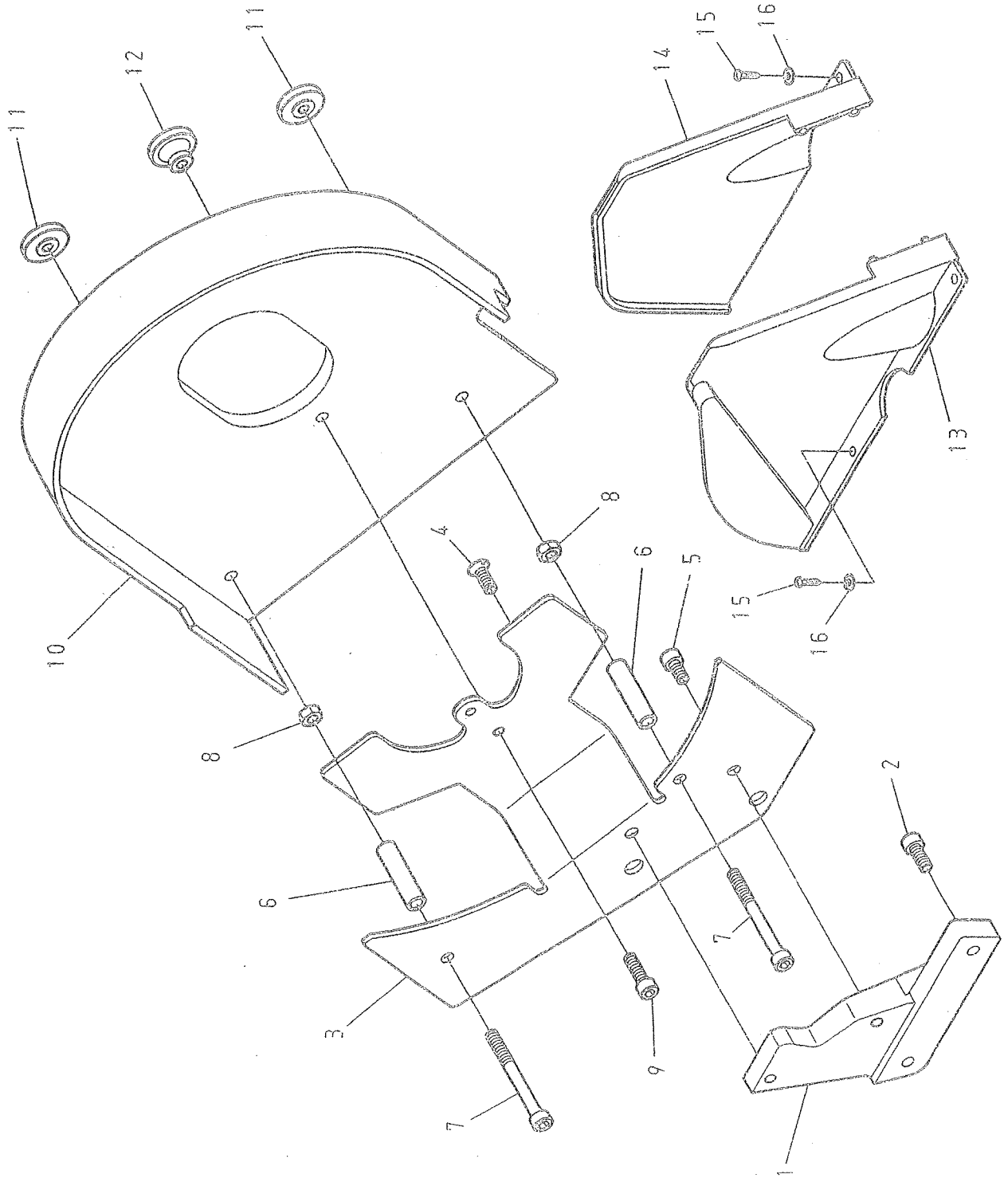
REF. No	NOTE	零件號碼	零件名稱	Name of Part	件數	備註	Remarks
		Part No.			QTY		
1		2040310300	螺帽	Nut	1		
2		2040315400	線調整壓盤	Tension Regulator Presser Disk	1		
3		2040310400	調整彈簧	Thread Tension Spring	1		
4		2040311300	棉環側盤	Felt Support Plate	2		
5		2040311200	調整線輪	Thread Tension Wheel	1		
6		2040311400	棉環側盤	Felt Support Plate	2		
7		2040311100	調整螺絲桿	Thread Tension Wheel Post	1		
8		ZMH05001	螺絲	Screw M5X0.8*5	1		
9		2040310800	吊線彈簧	Spring A	1		
10		2040310900	吊線彈簧	Spring B	1		
11		2040310504	彈簧座 (結合)	Thread Tension Post Bracket Com.	1		
12		2040311004	線軸彈簧調整器 (結合)	Spring Support Plate Com.	1		
13		WA049003	平墊圈	Washer	1		
14		ZMJ04001	螺絲	Screw M4X0.7*8	1		
15		ZMH05001	螺絲	Screw M5X0.8*5	1		
16		2040310300	螺帽	Nut	1		
17		2040315800	調整彈簧	Thread Tension Spring	1		
18		A1025-0A	壓線盤	Tension Disk	2		
19		2040310100	調整螺絲桿	Thread Tension Post	1		
20		ZML08004	螺帽	Nut M8X1.25	1		
21		2040312000	螺絲鑽	Tension Releasing Pin	1		
22		2040310600	線針	Thread Tension Guide	1		
23		2040310610	線針	Thread Tension Guide	1		
24		ZMB04011	螺絲	Screw M4X0.7*8	2		
25		2040317100	鬆線彈簧	Tension Releasing Plate	1		
26		RE000050	E扣環 5	Retaining Rings- E Type 5	2		
27		2040317000	鬆線彈簧	Tension Releasing Base	1		
28		ZMJ05008	螺絲	Screw M5X0.8*10	2		
29		2040312300	彈簧	Spring	1		
30		2040317500	連桿	Link	1		
31		ZMJ04005	螺絲	Screw M4X0.7*12	1		
32		RE000050	E扣環 5	Retaining Rings- E Type 5	1		
33		WA060035	平墊圈	Washer	1		
34		2040315900	彈簧	Spring	1		
35		2040317200	連接桿	Tension Releasing Bar	1		



K. 2040 附件關係 ACCESSORIES

REF.No	NOTE	零件號碼	零件名稱	Name of Part	件數	備註
1		Part No.			Q'TY	Remarks
1		4710910900	罩頭蓋	Cover	1	
2		A7090-0A	工具袋	Accessory Bpx	1	
3		A7010-0A	螺絲起子 (小)	Screw Driver (small)	1	
4		A7010-2A	螺絲起子 (大)	Screw Driver (large)	1	
5		IN794#200	針	Needle (794 Nm=200-4)	4	
6		2040189410	定位保持板	Spacer	1	
7		2040189430	定位保持板	Spacer	1	
8		2040189440	定位保持板	Spacer	1	
9		2040189450	定位保持板	Spacer	1	
10		2040119000	枕木	Arm Support	1	
11		4710183200	梭仔	Bobbin	3	
12		F7022-0A	後鈕座	Rubber Hinge	2	
13		ZSC18001	螺絲	Screw 9/32-28 L=9.7	4	
14		2430911700	後鈕卸	Head Hinge	2	
15		A7026-0A	防震橡膠	Vibration Preventing Rubber	4	
16		2040912000	下油槽	Oil Pan	1	
17		4710340800	S型銷	S-Plug	2	
18		4710341400	鎖	Chain	1	
19		TLA020	六角型螺絲起子2mm	Hexagonal Wrench Key(2mm)	1	
20		TRB06 x 07	開口板手(6 x 7)	Wrench (6X7)	1	
21		TRB08 x 10	開口板手(8 x 10)	Wrench (8X10)	1	
22		J7050-0A	線架	Thread Stand	1	
23		A7011-0A	鐵釘	Nail	10	
24		A7012-1A	油壺 (中)	Oiler	1	
25		2040320105	捲線器組	Bobbin Winder	1	
26		ZMT05001	木螺絲	Wood Screw L=18	2	
27		WA059003	平墊圈	Washer $\phi 12 \times 0.7$ d=5.2	2	
28		4710113400	線柱	Needle Thread Guide Pin	1	
29		ZSL12003	螺帽	Nut 3/16-32	1	

L. 2040 皮帶蓋關係 BELT COVER COMPONENTS



L. 2040 皮帶蓋關係 BELT COVER COMPONENTS

REF.No	NOTE	零件號碼	零件名稱	Name of Part	件數	備註
1	2	3	4	5	6	7
Part No.					QTY	Remarks
1		2040335000	皮帶蓋土台	Belt Cover Base	1	
2		ZMJ06002	螺絲	Screw M6X1.0*15	2	
3		2040335600	皮帶蓋支持板	Belt Cover Mounting Plate	1	
4		ZMC06001	螺絲	Screw M6X1.0*16	1	
5		ZMJ06008	螺絲	Screw M6X1.0*12	1	
6		2040335300	皮帶蓋固定管	Belt Cover Stud	2	
7		ZMJ06021	螺絲	Screw M6X1.0*60	2	
8		ZML06001	螺帽	Nut M6X1.0	2	
9		ZMJ06004	螺絲	Screw M6X1.0*20	1	
10		2040335100	皮帶蓋 A	Belt Cover A	1	
11		ZMR06007	螺帽	Nut M6 X 1.0	2	
12		ZMR06006	螺帽	Nut M6 X 1.0	1	
13		2040335500	皮帶蓋 C	Belt Cover C	1	
14		2040335200	皮帶蓋 B	Belt Cover B	1	
15		ZMT04006	木螺絲	Wood Screw	4	
16		WA049006	平墊圈	Washer	4	

M. 2040 零件號碼與頁數對照表(1/3) NUMERICAL PARTS-LIST (1/3)

零件號碼	頁數	零件號碼	頁數	零件號碼	頁數	零件號碼	頁數
Part No.	PAGE	Part No.	PAGE	Part No.	PAGE	Part No.	PAGE
204010604	11-26	2040145420	11-15	2040164500	17-8	2040189410	25-6
2040110900	3-3	2040145430	11-16	2040164900	15-7	2040189420	19-6
2040111000	3-1	2040145440	11-17	2040167200	17-7	2040189430	25-7
204011100C	3-9	2040145450	11-18	2040167600	17-19	2040189440	25-8
2040111100	3-23	2040145460	11-19	2040167900	17-1	2040189450	25-9
2040111200	3-19	2040145470	11-20	2040169204	9-31	2040190104	7-7
2040111300	3-14	2040148000	11-4	2040169500	17-20	2040190210	7-9
2040111600	3-16	2040148000	11-35	2040170104	15-30	2040190220	7-10
2040111700	3-12	2040148000	15-24	2040170304	15-22	2040190230	7-11
2040111800	3-11	2040150100	13-9	2040170900	19-20	2040190240	7-12
2040113100	3-33	2040150200	13-15	2040171800	15-26	2040190250	7-13
2040119000	25-10	2040150400	13-20	2040171900	15-29	2040190260	7-14
2040120104	5-2	2040150500	13-10	2040180300	19-10	2040190270	7-15
2040120200	5-4	2040150604	13-29	2040180500	19-27	2040190300	7-16
2040120400	5-17	2040150704	13-5	2040180704	19-24	2040192100	7-6
2040121000	7-19	2040150804	13-7	2040181400	19-3	2040192300	7-4
2040121300	5-1	2040151000	11-32	2040181604	19-7	2040270100	9-16
2040122000	5-5	2040151100	11-24	2040181800	5-10	2040270200	9-17
2040122300	5-20	2040151700	13-30	2040181900	5-12	2040270400	3-38
2040140100	7-22	2040152500	13-18	204018200A	5-8	2040271100	9-14
2040140900	7-20	2040157104	13-1	204018200B	5-16	2040271300	9-28
2040141704	11-30	2040159900	13-21	2040182200	21-4	2040273000	9-32
2040141900	9-11	2040160100	15-9	204018220A	21-3	2040310100	23-19
2040142304	9-4	2040160500	15-4	2040182300	21-7	2040310300	23-1
2040142500	11-21	2040160600	15-1	2040182400	21-1	2040310300	23-16
2040142700	11-3	2040160700	15-20	2040182500	21-2	2040310400	23-3
2040142900	11-23	2040160800	15-15	2040183000	21-6	2040310504	23-11
2040143100	9-1	2040160900	17-17	2040183500	19-31	2040310600	23-22
2040143300	11-31	2040161104	17-6	2040183800	19-28	2040310610	23-23
2040143500	13-13	2040161200	17-15	2040184100	19-14	2040310800	23-9
2040143600	11-34	2040161300	17-9	2040184200	19-8	2040310900	23-10
2040143700	11-28	2040161400	15-13	2040184300	19-34	2040311004	23-12
2040143800	13-16	2040161800	17-14	2040184400	19-30	2040311100	23-7
2040144400	5-18	2040161900	17-12	2040184500	19-33	2040311200	23-5
2040144600	11-6	2040162000	17-11	2040184600	19-11	2040311300	23-4
2040144704	11-11	2040162100	17-13	2040186600	19-22	2040311400	23-6
2040145410	11-14	2040162200	17-2	2040189300	19-4	2040312000	23-21

M. 2040 零件號碼與頁數對照表 (2/3) NUMERICAL PARTS--LIST (2/3)

零件號碼	頁數	零件號碼	頁數	零件號碼	頁數
Part No.	PAGE	Part No.	PAGE	Part No.	PAGE
2040312300	23-29	4710181300	19-1	TC14708200	19-18
2040315400	23-2	4710183200	19-2	TC14712200	19-25
2040315800	23-17	4710183200	25-11	TC16008200	11-9
2040315900	23-34	4710340800	25-17	TLA020	25-19
2040317000	23-27	4710341400	25-18	TRB06 x 07	25-20
2040317100	23-25	4710910900	25-1	TRB08 x 10	25-21
2040317200	23-35	A1025-0A	23-18	WA040026	5-15
2040317500	23-30	A1077-0A	3-18	WA049003	3-26
2040320106	25-25	A7000-0A	25-2	WA049003	23-13
2040335100	27-10	A7010-0A	25-3	WA049006	27-16
2040335200	27-14	A7010-2A	25-4	WA059003	25-27
2040335300	27-6	A7011-0A	25-23	WA059006	13-4
2040335500	27-13	A7012-1A	25-24	WA060035	23-33
2040335600	27-3	A7026-0A	25-15	WA06008	9-5
2040335800	3-31	BNHK0910B	7-3	WA080007	11-2
2040336000	27-1	BNHK4512	5-9	WA080022	7-17
2040340200	13-12	IN794#200	7-23	WA089004	5-21
2040340300	13-8	IN794#200	25-5	WH216002	5-3
2040341700	13-25	J7050-0A	25-22	XA200046	15-32
2040342300	13-28	KC0305520	5-7	XA200100	19-16
2040350200	3-21	LG4043-0A	9-7	XA200150	3-44
2040351504	3-28	LG4044-0A	15-18	XA200180	3-43
2040351900	3-5	RE000040	9-30	XA200280	3-36
2040352900	9-24	RE000040	11-36	XA200300	9-19
2040353604	3-37	RE000040	15-25	XA200360	11-39
2040353804	3-40	RE000050	17-21	XA200400	3-30
2040353804	9-23	RE000050	23-26	XA200800	3-42
2040354000	15-8	RE000050	23-32	XA300460	9-27
2040912000	25-16	RE000070	9-2	XB130001	3-22
2430160400	15-3	RE000070	15-10	XB215001	3-27
2040911300	25-12	RE000080	9-15	XB400063	3-8
2040911700	25-14	RE000100	13-6	XP300045	9-22
4410142400	9-9	SEN0400600	15-6	XP300055	9-26
4710113400	25-28	TC09008200	7-1	XP300060	19-17
4710150300	13-24	TC09508200	9-20	XP300120	15-11
4710151500	13-25	TC10010200	9-33	XP300100	11-38
4710161600	17-16	TC12710200	15-27	XP300200	3-29
				XP300150	3-41
				YA040300	19-38
				YD040014A	3-35
				ZMA04005	15-17
				ZMA05012	19-32
				ZMB03001	3-13
				ZMB03001	19-12
				ZMB04011	23-24
				ZMB04013	3-32
				ZMB04016	3-25
				ZMB05003	3-15
				ZMB05003	3-17
				ZMB05004	3-20
				ZMB05004	3-24
				ZMB05004	15-14
				ZMB05012	15-12
				ZMB05027	19-29
				ZMB06020	5-13
				ZMB08005	11-5
				ZMB10002	11-37
				ZMC03001	17-18
				ZMC06001	19-5
				ZMC08001	27-4
				ZMG05023	25-13
				ZMH04017	19-36
				ZMH05001	7-24
				ZMH05001	7-2
				ZMH05001	11-10
				ZMH05001	19-19
				ZMH05001	23-8
				ZMH05001	23-15
				ZMH05002	9-29
				ZMH05002	9-34
				ZMH05002	15-28
				ZMH05003	11-29
				ZMH05006	9-21
				ZMH06003	5-6

M. 2040 零件號碼與頁數對照表 (3/3) NUMERICAL PARTS-LIST (3/3)

零件號碼	頁數	零件號碼	頁數	零件號碼	頁數	零件號碼	頁數
Part No.	PAGE	Part No.	PAGE	Part No.	PAGE	Part No.	PAGE
ZMH06003	7-5	ZMJ05017	7-8	ZSD20009	9-10		
ZMH06008	3-39	ZMJ06001	3-34	ZSD20009	11-7		
ZMH06008	19-21	ZMJ06002	17-10	ZSD20011	9-12		
ZMH06008	19-26	ZMJ06002	27-2	ZSK11050	19-9		
ZMH06010	15-2	ZMJ06004	15-16	ZSL11002	19-35		
ZMH06010	15-21	ZMJ06004	15-31	ZSL12003	25-29		
ZMH06010	21-8	ZMJ06004	27-9				
ZMH06016	9-18	ZMJ06006	13-14				
ZMH06023	13-27	ZMJ06008	27-5				
ZMH06024	17-5	ZMJ06009	5-19				
ZMH08002	5-24	ZMJ06009	13-11				
ZMJ03001	3-7	ZMJ06021	27-7				
ZMJ03010	3-6	ZMJ08003	5-22				
ZMJ03010	13-19	ZMJ08006	11-1				
ZMJ04001	23-14	ZMJ08010	19-37				
ZMJ04002	11-33	ZMJ08011	5-14				
ZMJ04003	3-2	ZMK06024	15-23				
ZMJ04003	11-22	ZMK06025	9-3				
ZMJ04004	13-22	ZMK08016	9-13				
ZMJ04005	3-4	ZMK08017	11-13				
ZMJ04005	11-25	ZML04006	13-23				
ZMJ04005	13-17	ZML06001	9-6				
ZMJ04005	23-31	ZML06001	27-8				
ZMJ04008	5-11	ZML08004	7-18				
ZMJ04008	9-25	ZML08004	11-12				
ZMJ04008	21-9	ZML08004	23-20				
ZMJ05002	3-10	ZMR06005	17-4				
ZMJ05002	11-27	ZMR06006	27-12				
ZMJ05002	13-3	ZMR06007	27-11				
ZMJ05002	21-5	ZMT04006	27-15				
ZMJ05003	5-23	ZMT05001	25-26				
ZMJ05003	7-21	ZSA16010	9-8				
ZMJ05003	13-31	ZSA16020	11-8				
ZMJ05003	19-23	ZSA16029	15-19				
ZMJ05004	13-2	ZSB09091	19-15				
ZMJ05004	17-3	ZSB15055	19-13				
ZMJ05008	23-28	ZSB16004	15-5				

Consolidated Sewing Machine Corp.

Website: www.consew.com

MAIN office

131 W. 25th Street
New York, NY 10001
Tel: 212-741-7788
Fax: 212-741-7787
e-mail: consew@att.net

Miami, FL

4013 N.W. 79th Avenue
Miami, FL 33166
Tel: 305-471-0200
Fax: 305-471-0243
e-mail: miamisales@consew.com

Los Angeles, CA

2320 South Hill Street
Los Angeles, CA 90007
Tel: 213-745-8844
Fax: 213-745-8855
e-mail: lasales@consew.com